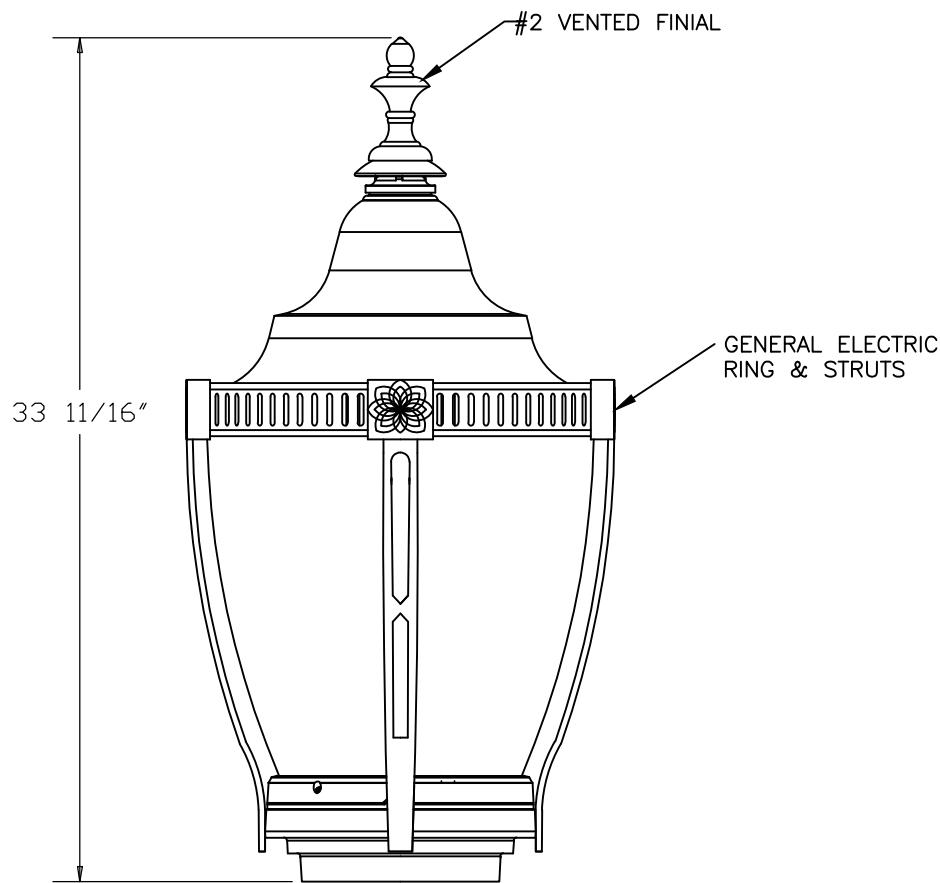


REV.	ALTERATION	DATE	BY



LUMINAIRE SPECIFICATIONS

CATALOGUE NO.: KCK124-B2AR-III-100(SSL)  
 -1063-120:277-K4-GRS-#2-4K

QUANTITY: 364

GLOBE MOUNTING: ROTOLOCK

OPTICAL SYSTEM: BAFFLED ARRAY ACRYLIC RIPPLED

IES CLASS.: TYPE III

INPUT WATTAGE: 100W

SOLID STATE LIGHTING

SERIES: 1063

LINE VOLTAGE: 120:277V

CCT: 4000K

POLE ADAPTOR: K4

**PAINT: STOCKTON FOREST GREEN**

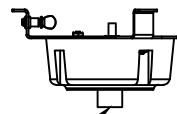
OPTIONS: C/W GENERAL ELECTRIC RING & STRUTS, #2 VENTED FINIAL S/F K12

OPTIONS

QUICK DISCONNECT



TERMINAL BLOCK

CUSTOMER APPROVAL & DATE: \_\_\_\_\_



DRIVER ASSEMBLY

CUSTOMER ORDER No: 001A
KING U.S. ORDER No: SC3-2205016
SC2 ORDER No: -

  King Luminaire • StressCrete • Est. 1953 <b>STRESSCRETE GROUP</b>	<u>Manufacturing Locations:</u> Burlington, Ontario 1-800-268-7809 Northport, Alabama 1-800-435-6563 Atchison, Kansas 1-800-837-1024 Jefferson, Ohio 1-800-268-7809					
	PROJECT/CUSTOMER: STOCKTON ANCHOR VILLAGE LED					
<table border="1"> <tr> <td>DRAWN BY: V.V.</td> <td>AT: SC1</td> <td>CHECKED BY:</td> <td>DATE: 05/04/22</td> <td>REVISION:</td> </tr> </table>	DRAWN BY: V.V.	AT: SC1	CHECKED BY:	DATE: 05/04/22	REVISION:	DRAWING NUMBER: SC3-2205016-2
DRAWN BY: V.V.	AT: SC1	CHECKED BY:	DATE: 05/04/22	REVISION:		
DRAWING TYPE: APPROV/MFG. DWG.						